

ACTatek™ - FINGERPRINT & SMART CARD SECURITY & TIME ATTENDANCE SYSTEM

Combination Access Control & Attendance System

ACTatek™ uses latest proprietary 500 dpi Optical Scanner with built-in biometric fingerprint technology. The combination model support numerous Contactless Card Technology such as Legic, Mifare, HID proximity & iClass, EM & Barcode technologies, ISO Standard 14443, 15693.

The benefits of using the combination ACTatek™, as opposed to existing smart card only or fingerprint only systems, are manifold. For one, 5 different authentication methods can be used for allocation access to different users in different departments. These methods include: Fingerprint, Smartcard, Fingerprint + Smartcard, and ID + PIN. This gives you an option of which access method to grant your employees, based on either time of day, traffic, or employee work schedule.

In addition, ALL entries are logged by the system, which can hold up to 10,000 records. They can then be viewed via the web interface of the system. The records can be automatically transfer to an ODBC / JDBC database with our ACTatek™ Server.

To enhance security and let the user be in charge of their information, the fingerprint data can be stored directly on the user's smart card. With this configuration, no fingerprint information will be stored in the unit. This can alleviate apprehension for using a fingerprint system in the workplace. It has to be emphasized that NO fingerprint information captured by the system is stored as an image, all the data is stored as an encrypted binary algorithm, which is used solely for matching purposes.

Moreover, with a built-in CMOS camera (above the LCD screen), a snapshot of all attempts, including rejected attempts are stored in the database. So, even if the smart card or PIN only authentication methods are used, a snapshot can be taken. For every attempt, an image will be captured to the corresponding attempt. These records can then be viewed via the web interface or transfer directly to an ODBC or JDBC database using the ACTatek™ Server.



FEATURES & BENEFITS

- ▶ Escort mode, dual user.
- ▶ 3 Access Methods: Fingerprint, Smart card and Password.
- ▶ Operates in Standalone or Network modes. Encrypted communication.
- ▶ All Software & Hardware are built-in.
- ▶ IP-rated weather & impact resistant casing.
- ▶ Multi-Lingual interface - supports English, Spanish, Chinese, Arabic, German, Thai, Korean, Polish, Portuguese & Croatian - More in future releases!
- ▶ Maximum User Enrollment of 10,000 users.
- ▶ Maximum Transaction storage of 10,000 records.
- ▶ 1:1 & 1:N verification methods.
- ▶ Control, configure & administer via web interface.
- ▶ Real time system update and configuration.
- ▶ Integration with Weigand 26-bit & 40-bit output.
- ▶ Optional Built-in CMOS camera.
- ▶ Optional Wi-Fi support.



Combination Tech Specifications

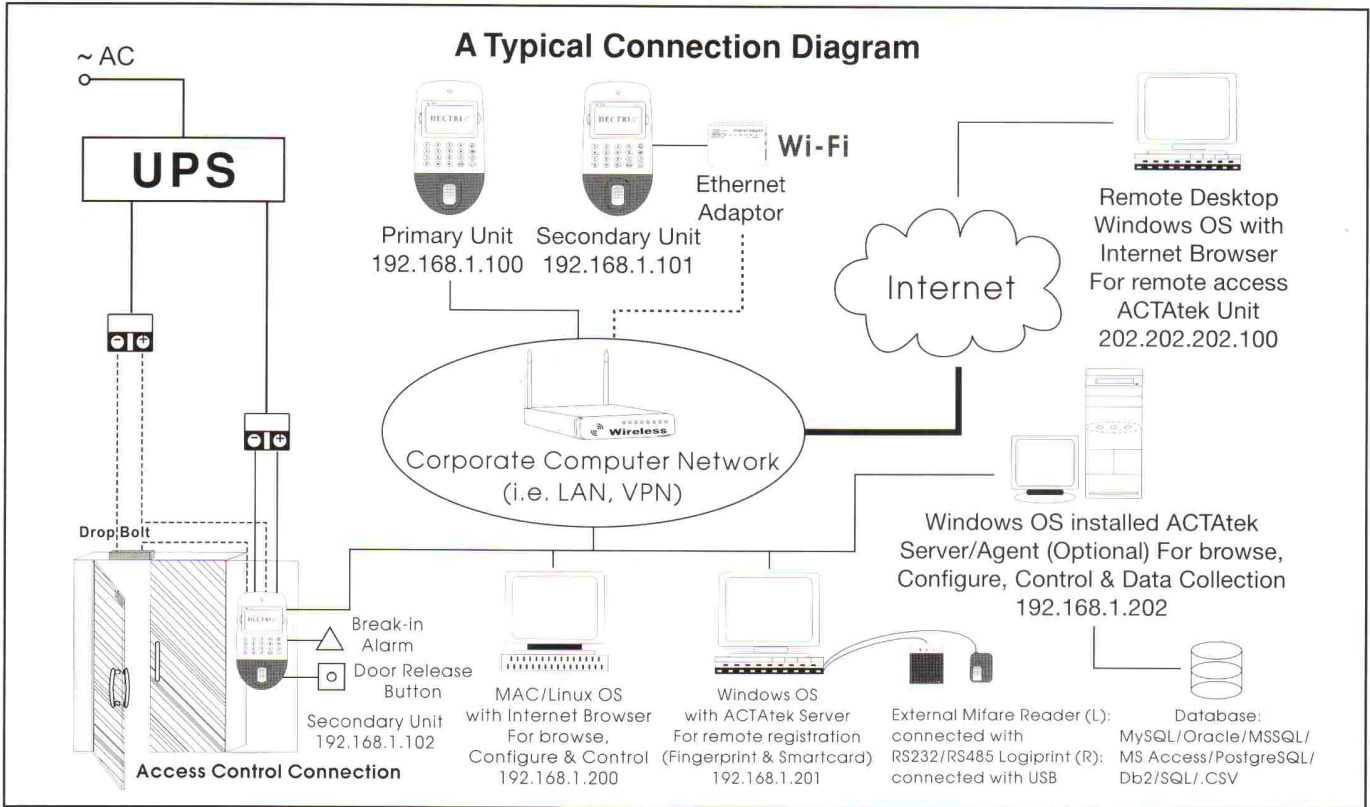
Features	Technical Specification
Support Card Technologies:	Philips Mifare, Legic, HID Promixity & iClass, EM & Barcode Technologies
Card Matching Speed:	10 Micro second
Card Standards	ISO 14443, 15693
Card Operating Frequency	13.56 Mhz, 125K
Fingerprint Image Resolution:	500DPI
False Rejection Rate (FRR):	0.01%
False Acceptance rate (FAR):	0.001%
Allowed Fingerprint Rotation:	+ / - 15 Degrees
Matching Speed:	0.05 second
Scanning Speed:	Less Than a second
Operation Temperature:	0 to +65 Degrees Celsius



IP65 CASING



Access Control / Time Attendance



Standard Features

Model:

	Fingerprint only	SmartCard only	Fingerprint + SmartCard	Keypad + CMOS camera
Fingerprint Enrollment	✓	✗	✓	✗
Built-in SmartCard Reader	✗	✓	✓	✗
Built-in Web and Database Server	✓	✓	✓	✓
Number of users	1/3/5k	1/3/5/10k	1/3/5k	1/3/5/10k
Max. transaction records stored	10,000			
Exchange Information between Devices (Primary / Secondary)	✓	✓	✓	✓
Static IP address assignment	✓	✓	✓	✓
Dynamic IP address assignment	✓	✓	✓	✓
Backlit LCD Display (128 X 64)	✓	✓	✓	✓
Non-volatile Memory	32MB			
Computer supported (with Internet Browser)	Mac OS Windows 95/98/NT/2000/XP Pocket PC Linux PC Unix Machine			
Valid Characters for Employee ID	0 - 9, A - C (max. 10 chars)			
Authentication Time	< 1 second			

Distributed by:

Model:

	Fingerprint only	SmartCard only	Fingerprint + SmartCard	Keypad + CMOS camera
Database Interface Support	ODBC / JDBC			
Encryption	Secure Socket Layer			
Multilingual Support	✓	✓	✓	✓
Network Interface	10BT Ethernet (Built-in) GSM/GPRS, Wi-Fi, Modem			
Expansion	RS-232/RS-485 Weigand			
Operation Mode	Primary/Secondary mode			
Programming API	SOAP API			
Report	✓	✓	✓	✓
Remote Control	✓	✓	✓	✓
Operation Temperature	0°C-60°C			
Modules	CPU/Fingerprint Mifare/Legic HID Proximity/HID iClass EM/Contact Card LCD & Keypad CMOS Camera			
Modes of Authentication	Fingerprint, SmartCard, Password Dual user mode Escort mode SmartCard + FP SmartCard + Password			
Relay Support	2 Relays			
Case	IP65 -fluid ingress, dust, salt, fog protection			
Safety Standard	CE, FCC, IP65			