

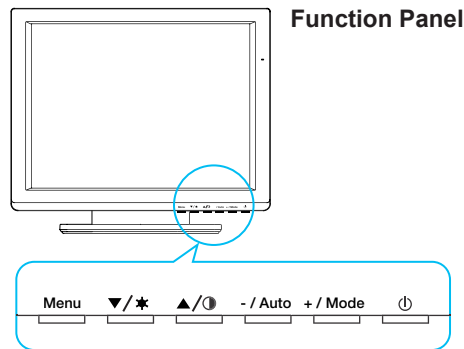
Professional CCTV 15" LCD Display



**RoHS
Compliance**



- Crisp picture performance
- High resolution, high contrast ratio
- Stylish and portable design
- NTSC/PAL auto mode
- Universal power supply (VESA DPMS compatible)
- Multiple mechanical design for various installation
- User friendly one level operation in OSD
- 7 language OSD control



MODEL	LPL-15W01
Pixel pitch	0.297 (H) x 0.297 (V).
Max. Resolution	VGA 1024 x 768 pixel.
	VIDEO 500 TVL.
Dimension	364.0 (W) x 316.0 (H) x 170.0 (D).
Packing Dimension	491.0 (W) x 422.0 (H) x 242.0 (D).
Display Mode	VGA, Composite, S-VIDEO.
Signal Connector	VGA In, BNC In / Out, Y/C In / Out, Audio In/Out.
Front Control Panel Buttons	Power on / off / Mode / Auto, Up (Contrast Adjust), Down (Brightness Adjust), Menu.
OSD Menu	VGA Brightness, Contrast, H-Position, V-Position, Clock, Phase, Color Temp, User Color R, User Color G, User Color B, OSD H-Pos, OSD V-Pos, Volume, Language, Recall.
	VIDEO Color, Tint (NTSC only), Brightness, Contrast, Sharpness, Volume, Language, Color Temp, Recall.
Power Input	DC Input: 12V / 4.16A, 50 / 60Hz.
Operating Condition	Temperature: 0°C~ 40°C, Humidity : 10% ~ 85%.
Storage Condition	Temperature: -20°C~ 60°C, Humidity : 10% ~ 85%.
Power Consumption	30W (Max.).
Weight	N.W.: 4.0kgs, G.W.: 6.0kgs.

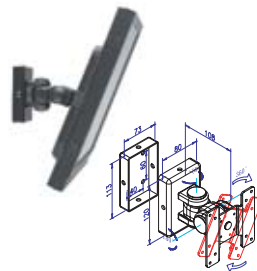
- 1. Power Switch :** Press to switch monitor on/off.
- 2. LED Indicator :** Power indicator.
- 3. + / Mode :**
 - Press to select next input signal.
 - Press to increase the value of OSD option selected.
- 4. - / Auto :**
 - VGA signal auto adjustment.
 - Press to decrease the value of OSD option selected.
- 5. : ▲ / ●**
 - Select OSD options upwards.
 - Press " + " or " - " button to adjust contrast value.
- 6. : ▼ / ★**
 - Select OSD options downwards.
 - Press " + " or " - " button to adjust brightness value.
- 7. OSD Menu :** recall or close OSD display, enter or return selection.

Stand Base (-5°~40°)
Standard Plate With Patent Tilt Adjustment -5°~40° is Designed for Different Viewing Angles of Various Applications.

Optional Assesories

DW-170 (Three knuckles for adjusting)

DW-171 (Two knuckles for adjusting)

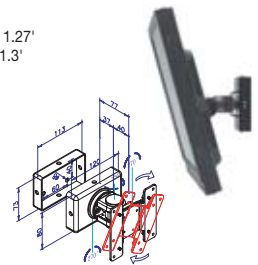


Packing

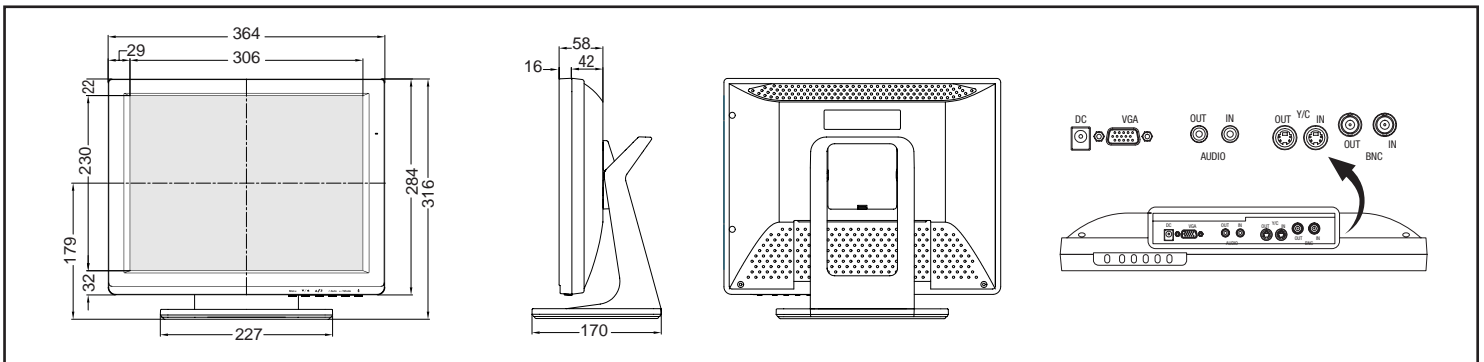
DW-170: 1pc/box, 8pcs/carton G.W.: 14.7kgs, 1.27'
DW-171: 1pc/box, 12pcs/carton G.W.: 17kgs, 1.3'

Wall mount Bracket

- Firmly fix on solid wall
- Meets VESA standards Mounting spec. provided is 75mm X 75mm
- Adjusting: 1. Swivel left & right total 180°
- 2. LCD monitor swivel 270°
- 3. Pivot upwards & downwards
- Holds LCD Monitor up to 12 Kgs



Specification is subject to change without notice.



2006.02